

STAINLESS STEEL COUNTER

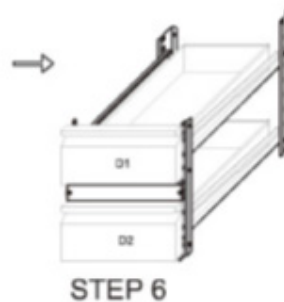
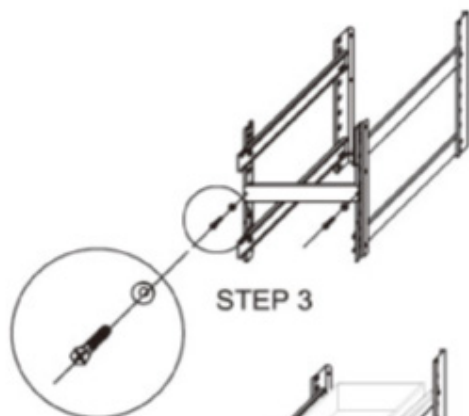
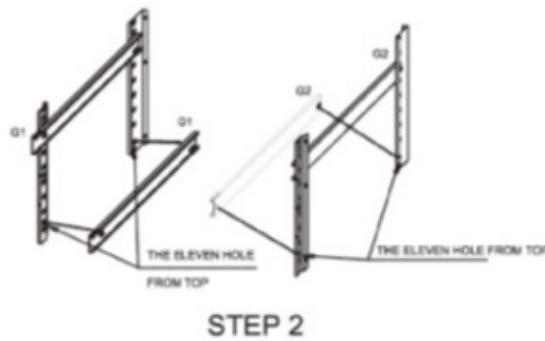
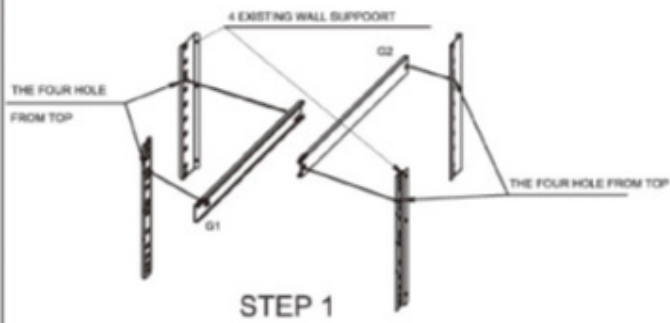




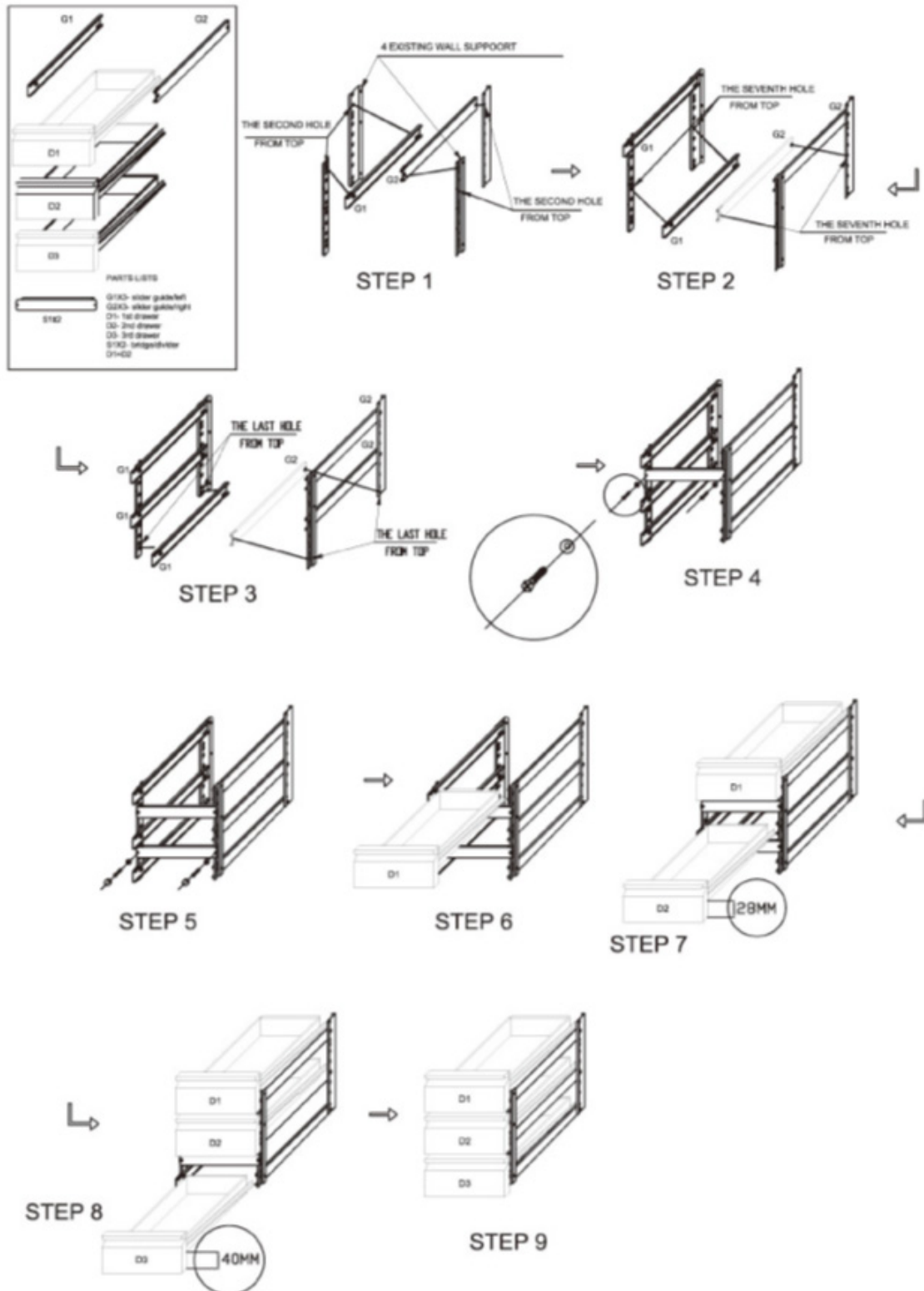
TABLE OF CONTENTS

Drawer Assembly Guide.....	3-4
Safety Tip	5
Introduction.....	5
Pack Contents	5
Installation.....	6
Lock/Unlock the Doors.....	6
Fitting the Waste Water Tray	6
Fitting the Shelves.....	6
Operation.....	6
Storing Food.....	7
Turn on	7
Manual Defrost.....	7
Cleaning, Care & Maintenance.....	7
Cleaning the Condenser.....	7
Disposal.....	8
Compliance.....	8
Troubleshooting	9

SET 1 DRAWER ASSEMBLY GUIDE



SET 2 DRAWER ASSEMBLY GUIDE





SAFETY TIPS

- Position on a flat and stable surface.
- A service agent/qualified technician should carry out installation and any repairs if required. Do not remove any components or service panels on this product.
- Consult Local and National Standards to comply with the following:
 - Health and Safety at Work Legislation
 - BS EN Codes of Practice
 - Fire Precautions
 - IEE Wiring Regulations
 - Building Regulations
- DO NOT use jet/pressure washers to clean the appliance.
- DO NOT use the appliance outside.
- DO NOT use this appliance to store medical supplies.
- DO NOT use electrical appliances inside this product (e.g. heaters, ice-cream makers etc.)
- DO NOT allow oil or fat to come into contact with the plastic components or door seal. Clean immediately if contact occurs.
- DO NOT place more than 30kg load on each shelf.
- Bottles which contain a high percentage of alcohol must be sealed and placed vertically in the appliance.
- Always carry, store and handle the appliance in a vertical position and move by holding the base of the appliance.
- Always switch off and disconnect the power supply to the unit before cleaning.
- Keep all packaging away from children. Dispose of the packaging in accordance with the regulations of local authorities.
- If the power cord is damaged, it must be replaced by an agent or a recommended qualified technician in order to avoid hazard.
- Do not store explosive substances such as aerosol cans with a flammable propellant in this appliance.
- This appliance can be used by children aged from 8 years and above and persons with reduced physical sensory or mental capabilities or lack of experience and knowledge if they have been given supervision or instruction concerning use of the appliance in a safe way and understand the hazards involved. Children shall not play with the appliance. Cleaning and user maintenance shall not be made by children without supervision. The instructions concerning persons (including children) with reduced physical, sensory or mental capabilities or lack of experience and knowledge playing with the appliance are not required.

WARNING:

Keep ventilation openings, in the appliance enclosure or in the built-in structure, clear of obstruction.

Do not use mechanical devices or other means to accelerate the defrosting process, other than those recommended by the manufacturer.

Do not damage the appliance circuit.

Do not use electrical appliances inside the food storage compartments of the appliance, unless they are of the type recommended by the manufacturer.

INTRODUCTION

Please take a few moments to carefully read through this manual, correct maintenance and operation of this machine will provide the best possible performance from your product.

PACK CONTENTS

The following is included:

- Refrigerator or Freezer
- Shelves x 3 or 4 (Single)/ x 6 or 7 (Double)
- Keys x 2
- Instruction manual



We pride ourselves on quality and service, ensuring that at the time of packaging the contents are supplied fully functional and free of damage. Should you find any damage as result of transit, please contact your dealer immediately.

Installation

⚠ **Note: if the appliance has not been stored or moved in an upright position, let it stand upright for approximately 12 hours before operation. If in doubt allow the appliance to stand.**

1. Remove the appliance from the packaging. Make sure that all protective plastic film and coatings are thoroughly removed from all surfaces.
2. Maintain a distance of 20cm (7 inches) between the unit and walls or other objects for ventilation. Increase this distance if the obstacle is a heat source.

⚠ **Note: Before using the appliance for the first time, clean the shelves and interior with soapy water.**

3. Set the brakes on the castors to keep the appliance in position OR level the appliance by adjusting the screw feet.



⚠ **Note: The R600a and R290 refrigerant used by this appliance.**

Fitting the Waste Water Tray

The waste water tray comes ready to fit to the underside of the appliance, slide the tray into the runners situated under the appliance.

Fitting the Shelves

1. Place one set of shelf guides on either side of the cabinet at the desired height.
2. Slide the shelf into place.
3. Repeat for the remaining shelves.
4. The shelf supports up to 30kg.

⚠ **Note: this is vital for ensuring correct drainage of condensation.**

Operation

Storing Food

To get the best results from your appliance, follow these instructions:

- Only store foodstuffs in the appliance when it had reached the correct operating temperature.
- Do not place uncovered hot food or liquid inside the appliance.
- Wrap or cover food where possible.
- Do not obstruct the fans where possible
- Do not obstruct the fans inside the appliance.
- Avoid opening the doors for prolonged periods of time.
- Foodstuffs should be 30cm away from the back of the appliance.
- Do not place constituents of foods (e.g. acid, alkali or salt) inside the appliance



Turn on

1. Close the door(s) of the appliance.
2. Ensure the power switch is set to [ON] and turn on at the socket.
3. Switch on the Power [I], the current temperature within the appliance is displayed.

Manual Defrost

The appliance will automatically run a defrost cycle every six hours.

Note: The cycle starts from the time the appliance is initially powered up.

To manually defrost the appliance:

1. Press and hold the DEFROST button for 5 seconds.
2. The defrost cycle will start immediately and the Defrost LED illuminates. The defrost will last a maximum of 30 minutes.

ⓘ Note: Starting a manual defrost also resets the automatic defrost timer. The next automatic defrost will start six hours after the manual defrost has finished.

3. Waste water is collected in the waste water tray.

Cleaning, Care & Maintenance

- Switch off and disconnect from the power supply before cleaning.
- Clean the interior of the appliance as often as possible.
- Do not use abrasive cleaning agents. These can leave harmful residues.
- Clean the door seal with water only.
- Always wipe dry after cleaning.
- Do not allow water used in cleaning to run through the drain hole into the evaporation pan.
- Take care when cleaning the rear of the appliance, sharp edges can cut.
- An agent or qualified technician must carry out repairs if required.

Cleaning the Condenser

Periodically cleaning the condenser can extend the life of the appliance.

We recommend that our agent or qualified technician clean the condenser.



Disposal

EU regulations require refrigeration product to be disposed of by specialist companies who remove or recycle all gasses, metal and plastic components.

Consult your local waste collection authority regarding disposal of your appliance. Local authorities are not obliged to dispose of commercial refrigeration equipment but may be able to offer advice on how to dispose of the equipment locally.

Compliance

Parts have undergone strict product testing in order to comply with regulatory standards and specifications set by international, independent, and federal authorities.

Products have been approved to carry the following symbol:



Disposal of packaging

All packaging materials should be disposed of in an environmentally friendly way.

The cardboard may be used as scrap paper. The protective foil and the foam cushions are CFC-free.

Do not allow children to play with the packaging and destroy plastic bags safely.

You can break or cut the cardboard into smaller pieces and give to a waste paper disposal



Environment protection

Discarded electric appliances are recyclable and should not be discarded in the domestic waste! Please actively support us in conserving resources and protecting the environment by returning this appliance to the collection centers (if available).



IN CASE THE SUPPLY CABLE IS DAMAGED, THE MANUFACTURER OR THE AFTER-SALES SERVICE, OR QUALIFIED TECHNICIAN SHALL REPLACE IT, IN ORDER TO PREVENT ANY POSSIBLE RISK.

THE LAMP REPAIR AND REPLACEMENT SHALL BE CARRIED OUT BY QUALIFIED TECHNICIANS, WITH POWER SUPPLY DISCONNECTED. REPLACE WITH IDENTICAL LAMPS.

ONLY QUALIFIED TECHNICIANS SHALL CARRY OUT THE EXTRAORDINARY MAINTENANCE INTERVENTIONS.



Troubleshooting

If your appliance develops a fault, please check the following table before making a call to your retailer.

Fault	Fault Cause	Action
The appliance is not working	The unit is not switched on	Check the unit is plugged in correctly and switched on
	Plug and lead are damaged	Call your agent or qualified Technician
	Fuse in the plug has blown	Replace the fuse
	Power supply	Check power supply
	Internal wiring fault	Call your agent or qualified Technician
The appliance turns on, but the temperature is too high/low	Too much ice on the evaporator	Defrost the appliance
	Condenser blocked with dust	Call your agent or qualified Technician
	Doors are not shut properly	Check doors are shut and seals are not damaged
	Appliance is located near a heat source or air flow to the condenser is being interrupted	Move the appliance to a more suitable location
	Ambient temperature is too high	Increase ventilation or move appliance to a cooler position
	Unsuitable foodstuffs are being stored in the appliance	Remove ant excessive hot foodstuff or blockages to the fan
	Appliance is overloaded	Reduce the amount of food stored in the appliance
The appliance is leaking water	The appliance is not properly levelled	Adjust the screw feet to level the appliance (if applicable)
	The discharge outlet is blocked	Clear the discharge outlet
	Movement of water to drain is obstructed	Clear the floor of the appliance (if applicable)
	The water container is damaged	Call your agent or qualified Technician
	The drip tray is overflowing	Empty the drip tray (if applicable)
The appliance is unusually loud	Loose nut/screw	Check and tighten all nuts and screws
	The appliance has not been installed in a level or stable position	Check installation position and change is necessary